

alinia

PREMIUM CLEAR ICE SERVICE

USER MANUAL / MANUAL DE USUARIO

V1 ESP-ENG

MODELS A1-A2



Es imprescindible
registrar su garantía
antes de usar su maquina
ALINIA

It is essential to **register**
your warranty before
using your ALINIA
machine

100%Chef

User Manual for **alinia**

Thank you for choosing our Alinia transparent ice maker! This new product is designed to produce transparent ice in standard shapes, ideal for bars, hotels, and other businesses serving cold drinks. Compared to regular ice machines and traditional transparent ice production processes, the Alinia ice maker has the following advantages:

Produces denser transparent ice that melts more slowly than opaque ice.

Forms transparent ice directly in standard shapes without the need for cutting.

Automatic production of transparent ice with just the push of a button for easy operation in as little as 24 hours.

Meets long-term transparent ice needs and reduces costs.

Our transparent ice maker features a sleek design and impressive performance, having passed rigorous safety and performance tests.

Feel free to use it and enjoy your transparent ice!





Important Safety Instructions

- Use only the power supply specified on the machine's identification plate.
- The machine plug must comply with national laws and regulations and must be reliably grounded with leakage protection.
- Wear gloves when performing maintenance on the motor and cooling system inside the machine.
- Do not insert a screwdriver or other device into the protective grilles, where there are heat exchange openings, evaporators, etc.
- Do not touch live parts with wet hands or bare feet.
- Do not block the heat exchange openings of the compressor or evaporator to ensure normal operation of the machine.
- Do not place non-food items in the machine, except for accessories that come with the machine.
- Only trained operators are allowed to use this machine.
- Installation, repair, or maintenance of this machine must be carried out by professional and qualified personnel.
- If the machine's power supply device fails, contact manufacturer-certified professional personnel to replace it and avoid accidents.
- It is prohibited to modify or remove provided safety devices (grille protectors, hazard labels, etc.), and the manufacturer hold responsible for the consequences of violating this instruction.
- In case of fire, use a carbon dioxide fire extinguisher instead of water and cool the engine room as soon as possible.
- Do not use mechanical devices or other means to accelerate the defrosting process, other than those recommended by the manufacturer.
- Do not damage the refrigerant circuit.
- Refrigerants and blowing agents are flammable and should only be disposed of by qualified personnel and institutions.
- If the power cord is damaged, it must be replaced by the manufacturer, service agent, or qualified personnel.
- Keep all machine ventilation openings clear.
- Before performing any operation, unplug the power cord and ensure that the operator can verify from any direction that the power cord is disconnected.
- The weighted A-weighted sound pressure level is below 70 dB (A).
- The climate class numbers marked on the machine's identification plate indicate:
 - Maximum ambient temperature for appliances with climate class 0, 1, 2, 3, 4, 6, or 8 in the test room: $32^{\circ}\text{C} \pm 2^{\circ}\text{C}$.
 - Maximum ambient temperature for appliances with climate class 5 or 7 in the test room: $43^{\circ}\text{C} \pm 2^{\circ}\text{C}$.



Warning: Fire risk / Flammable materials

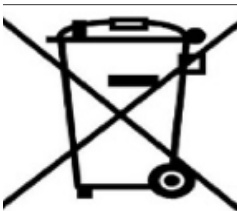
Installation

- Install and place the machine securely on a stable and level surface. In all cases, comply with applicable environmental laws in the user's country.
- When handling the machine, do not push or pull it to prevent tipping over or damaging the parts.
- Do not place objects on the machine, as it is open at the top.
- The machine should be placed in a well-ventilated area and away from sources of heat and ignition.
- A minimum clearance space of $\geq 100\text{mm}/3.9"$ should be maintained between the surroundings of the machine and the wall or objects to ensure good operational performance, ventilation, and maintenance.
- Before connecting to the power source, ensure that the voltage and frequency match the machine's identification plate. A variation of $\pm 10\%$ of the normal voltage is allowed, and the machine must be connected to an effective ground connection.

Almacenamiento

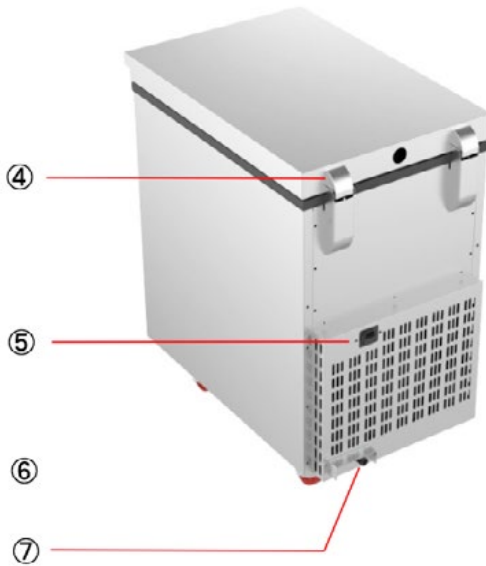
- Turn off the machine and unplug it.
- Empty the compartment and clean it.
- Keep the lid slightly open to ensure ventilation and prevent mold or odors.

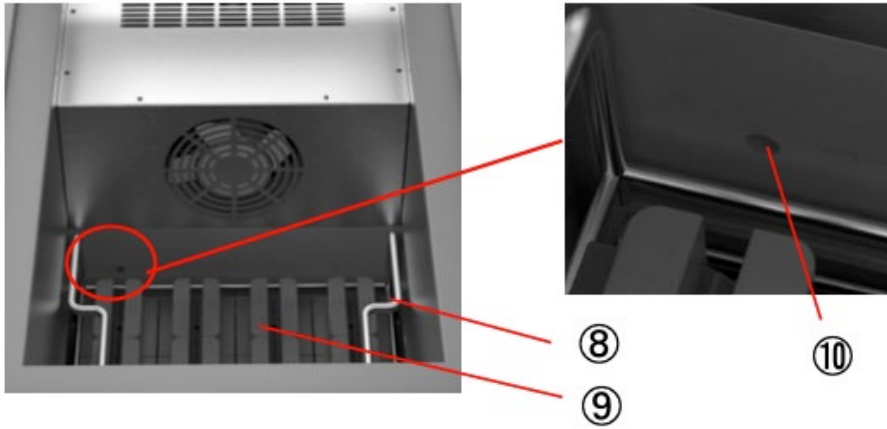
Proper Disposal of this Product



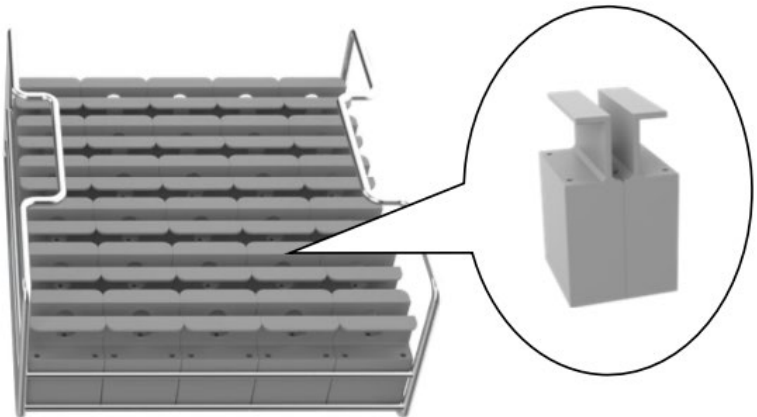
This label indicates that this product should not be disposed of with other household waste throughout the European Union. To prevent possible damage to the environment or human health due to uncontrolled waste disposal, recycle it responsibly to promote sustainable reuse of material resources. To return your used device, use return and collection systems or contact the retailer where you purchased the product. They can collect this product for environmentally safe recycling.

Product Structure





⑦+⑧:

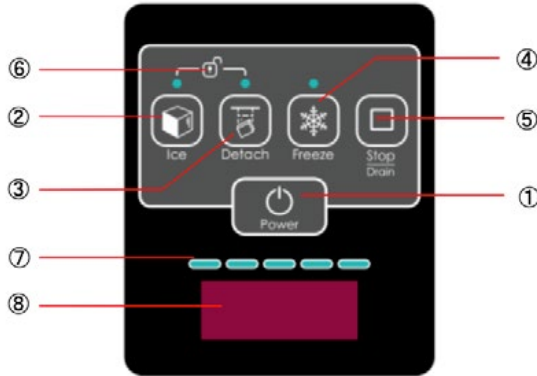


- | | |
|-----------------------|-------------------|
| 1. Lid | 6. Drain tube |
| 2. Control panel | 7. Inlet tube |
| 3. Wheels with brakes | 8. Ice mold tray |
| 4. Hinge | 9. Ice mold |
| 5. Power port | 10. Overflow hole |

Especificaciones

MODEL	ALINIA A1 (ONE TRAY)	
Power supply	220-240V~50Hz	230V~60Hz
Ice making power	280 W	300 W
Ice detachment power	1600 W	1700 W
Exterior material	Brushed stainless steel SUS201	
Interior material	Stainless steel SUS304	
Outer dimensions:	18.3" × 29.7" × 33.7" (465 × 755 × 856 mm)	
Interior dimensions:	13.8" × 15.0" × 17.8" (350 × 382 × 452 mm)	
Ice making time	24~28 h (Ambient temperature, water temperature ≤ 77°F)	
Number of trays	1	
El material de la bandeja	Stainless steel SUS304	
Ice mold material:	Food-grade platinum silicone	
Ice size:	Cube: 2.2 × 2.2 × 2.2 in (55 × 55 × 55 mm)	
	Sphere: ø 2,3 in (ø 60 mm)	
	Sphere: ø 3 in (ø 75 mm)	
	Collins: 1.5 × 1.5 × 4 in (38 × 38 × 102 mm)	
	Diamond: ø 2.4 × 2.2 in (ø 60 × 55 mm)	
Weight:	167.5 lb / 76 kg (Cube mold included)	
	174 lb / 79 kg (Sphere mold included)	
	172 lb / 78 kg (Collins mold included)	
	176 lb / 80 kg (Diamond mold included)	
Temperature display unit	°F / °C	
Ice storage temperature	30.2°F (-1°C)	
Freezing mode temperature	5°F (-15°C)	
Working conditions	Temp: 41-90°F (5-32°C), humidity: ≤85%	

Product features



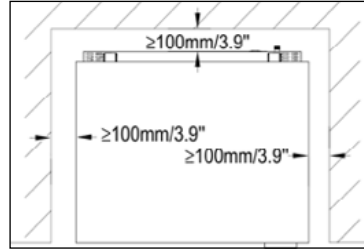
NO.	PART	DESCRIPTION
1	Power on	<p>Connect to the power source and the display will show "OFF". Press the "Power" button and the machine will enter standby mode, displaying "ON".</p> <p>--- In standby mode or during operation, pressing the power button can return to energy-saving mode.</p>
2	Ice	<p>In standby mode, press the "Ice" button, and the indicator will light up, initiating the ice making process:</p> <ol style="list-style-type: none"> 1. Water filling: the display shows ICE1 and the first progress bar indicator blinks. 2. Water heating: the display shows ICE2 and the second progress bar indicator blinks. 3. Ice making: the display shows ICE3 and the ice making time alternately, and the third progress bar indicator blinks. 4. Ice making: the display shows ICE4, and the "Off" indicator lights up and the fourth progress bar indicator blinks. 5. Completion: the display shows the compartment temperature and the progress bar will fully light up. 6. In standby mode, press and hold the "Ice" button for about 3 seconds until the indicator lights up; the water filling process will be skipped.

		If the initial water temperature is above 20°C, the water heating process will be skipped and it will proceed directly to the ice making process.
	Detach	During ice making and in unlocked state, pressing the "Detach" button can enter ice detachment mode prematurely. --- In ice storage state, press "Detach", the machine will enter ice detachment mode, and the indicator will light up. When the ice detachment process is completed, the indicator will turn off and the screen will display the temperature in the compartment.
	Freeze	In standby mode, press the "Freeze" button, the indicator will light up, and the machine will enter freeze mode, with the screen displaying the compartment temperature. --- In standby mode, press and hold the button for about 3 seconds; then all progress bar lights will illuminate, and you can return to the ice storage state, in which the screen will display the compartment temperature.
	Stop / Drain	During all working processes, pressing "Stop/Drain" will halt the task. --- In standby mode, press and hold the "Stop/Drain" button for about 3 seconds to initiate the draining process. The digital display will show "dr." Once the water has drained completely, press the "Stop/Drain" button again to stop draining.
	Lock	After entering the ice making process, the operation interface will be locked. If you need to perform other operations (such as ice detachment or stopping the machine), you must press and hold the "Ice" and "Detach" buttons for a few seconds to unlock. After unlocking, the machine will beep and the screen will display "Unlo".
	Ice making progress bar	"Displays the ice making progress. After ice detachment, the entire progress bar will light up."
	Screen	"Displays the ice making stages, ice making time, and compartment temperatures."

Operating instructions

Before use

1 Place the machine on a flat and stable surface, and allow a distance of ≥ 100 mm/3.9" between the machine and walls or objects to ensure good ventilation.



2 Connect the machine's inlet pipe to the water supply and the drainage pipe to the drainage system. (To clean the machine and drain the water, press and hold the "Stop/Drain" button for about 3 seconds and ensure that the machine's inlet pipe is connected to the faucet and the faucet is open).

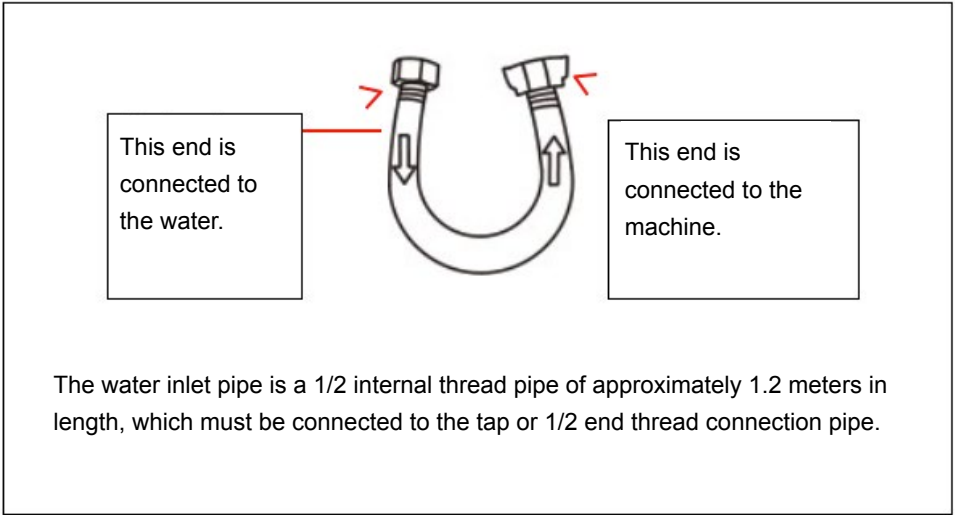


Note:

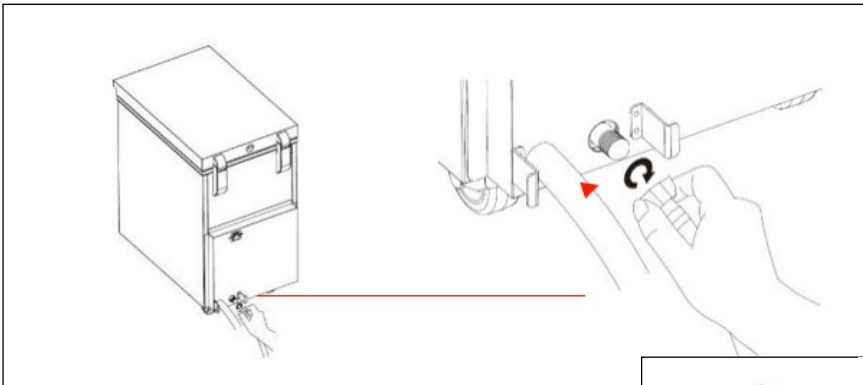
- The water pressure should be between 0.02 MPa (0.2 bar) and 0.8 MPa (8 bar). If the water pressure exceeds 0.78 MPa (8 bar), an appropriate pressure relief valve should be used. After connecting the water supply, keep the faucet open.
- Using distilled water as a water source is not recommended, as it may affect the transparency of the ice. It is recommended to use mineral water or filtered tap water.

3

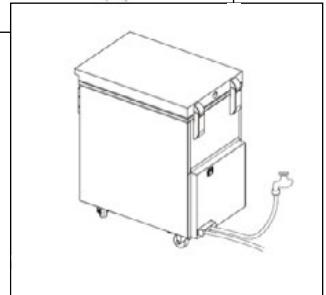
Identify the water inlet pipe.



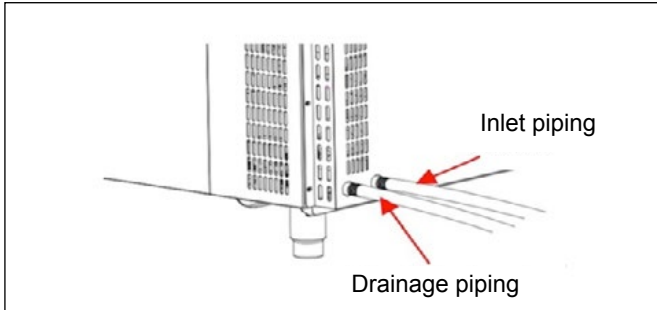
Instala la tubería de entrada.



It is advisable to install a water softening and/or purification filter whenever the water in your area contains a high calcium content or excessive hardness.



Schematic diagram after installation.



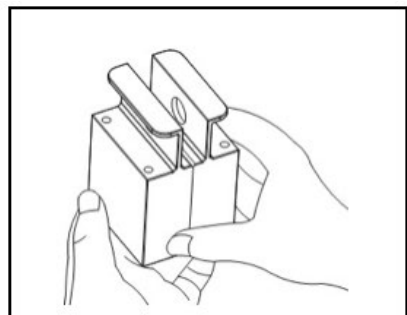
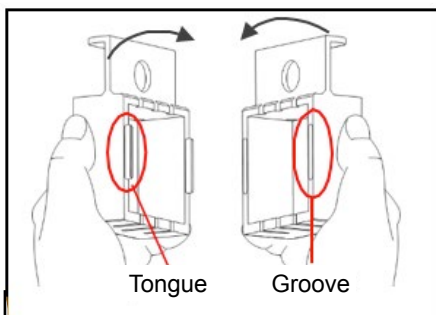
IMPORTANT:

The drainage pipe is a corrugated hose approximately 1 meter in length and should be placed in the drainage system. The drainage pipe should not be positioned higher than the water outlet.

How to make transparent ice

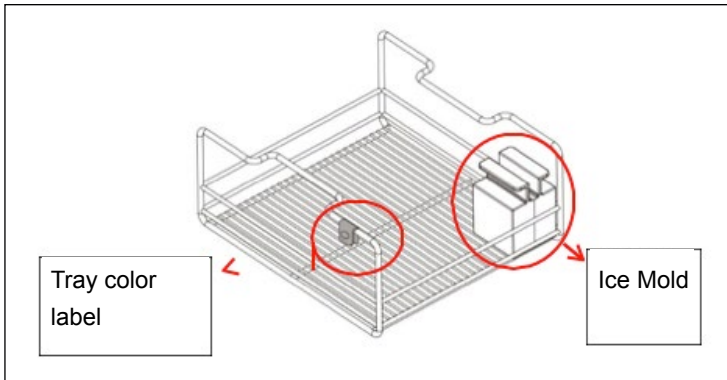


Adjust the two halves of the molds together with the tab and groove, and place them properly on the tray. The color of the ice mold should match the color label on the tray, and the molds should be placed in the correct direction.



Note:

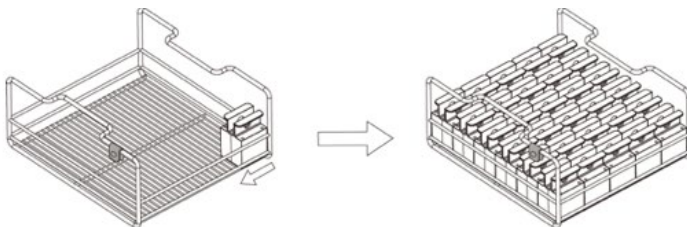
When placing the ice molds, choose the tray with the color label that matches the same color as the ice molds.



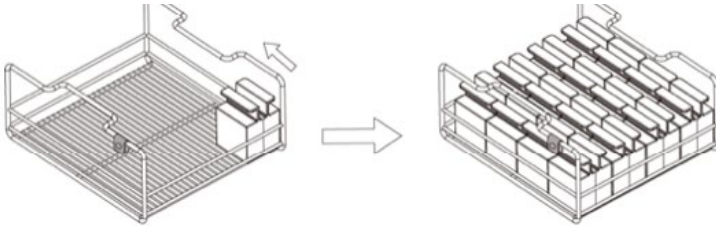
5 different molds



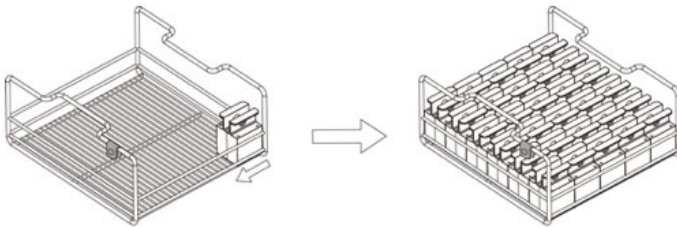
Ice cube: Ice cube molds and tray color label are gray. Each tray can hold 30 molds and the direction is shown below:



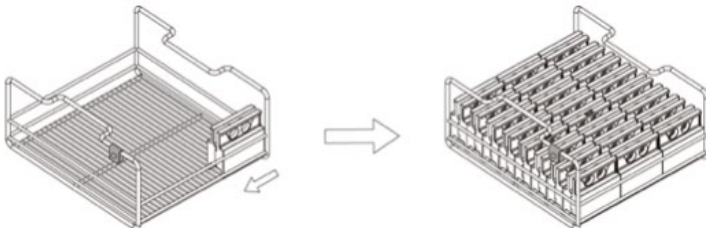
Ice Sphere: The ice sphere molds and the color label on the tray are green. Each tray can hold 16 molds and the direction is shown below:



Ice cube: Ice cube molds and tray color label are gray. Each tray can hold 30 molds and the direction is shown below:

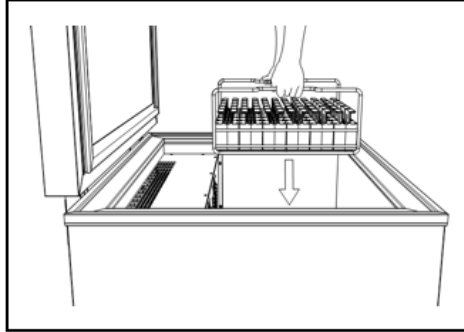


Ice cube: Ice cube molds and tray color label are gray. Each tray can hold 30 molds and the direction is shown below:



2

Place the tray with the molds on the support blocks in the machine.

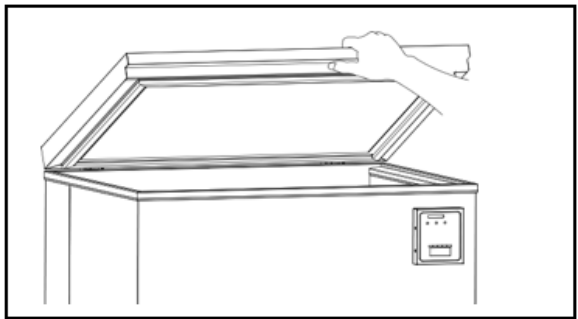


3

Close the lid.

Note:

When opening or closing the lid, always hold it with your hand to prevent injuries.



4

Connect Alinia to the power source, and the screen will display "OFF". Press the "Power" button and the machine will enter standby mode.

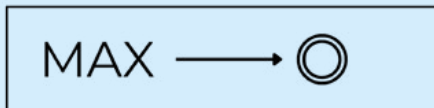
5

Press the "Ice" button, the indicator will light up, and the machine will start working:

- The machine is first filled with water, the screen displays "ICE1", and the first progress bar indicator blinks.
- Once the water filling is complete, the first progress bar indicator will remain lit, and the machine will start heating the water (up to approximately 68°F/20°C). The screen will display "ICE2", and the second indicator will blink. If the initial water temperature is above 68°F/20 , the machine will skip the heating process.
- Once the water heating is complete, the second progress bar indicator will remain lit, and the machine will start making ice. The screen will display "ICE3", and the ice making time will alternate.
- At the same time, the third progress bar indicator will blink.
- When the ice making is complete, the third progress bar indicator will remain lit, and the machine will start detaching the ice. The "Detach" indicator will light up, the screen will display "ICE4", and the fourth progress bar indicator will blink.
- When the ice detachment is complete, the "Ice" and "Detach" indicators will turn off, and the fourth and fifth progress bar indicators will remain lit. (All progress bar indicators will light up when the entire ice making process is complete).

Note:

1. If for any reason the machine cannot be automatically filled with water, you can manually add water up to the MAX line, without exceeding the overflow hole. It is not recommended to use pure water. Filtered water or mineral water is recommended.



2. If you wish to detach the ice prematurely during the ice making process, first unlock the machine by simultaneously pressing the "Ice" and "Detach" buttons for several seconds. Then, press "Detach", and the machine will start detaching the ice.

6

When the entire process is complete, all lights on the progress bar will be lit, and the machine will emit three beeps. The "Ice" and "Detach" indicators will turn off, the screen will display the compartment temperature, and the machine will enter ice storage mode.

Note:

1. After entering ice storage mode, if the machine stops (possibly caused by accidentally pressing "Stop/Drain" or "Power"), press and hold the "Freeze" button for about 3 seconds, and the machine will re-enter ice storage mode.
2. In ice storage mode, the last digit on the display indicates the temperature unit. "C" stands for Celsius and "F" stands for Fahrenheit. To change the temperature unit, follow these steps: first, press the "Stop/Drain" button to return to standby mode. Then, press and hold the "Freeze" and "Stop/Drain" buttons for about 3 seconds to complete the unit change. Finally, press and hold the "Freeze" button for about 3 seconds to re-enter ice storage mode.

7

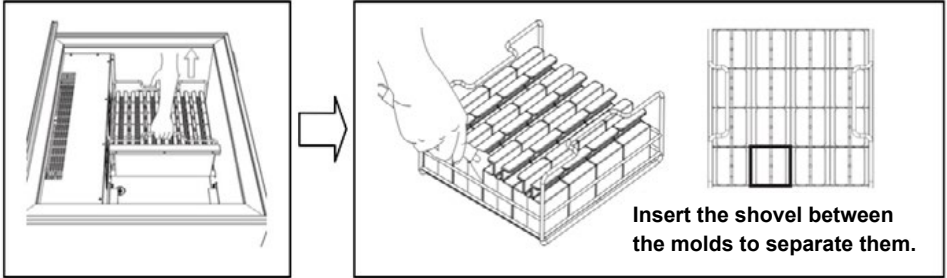
To remove the ice immediately, there are two methods: Method 1 is recommended when there is enough operating space; otherwise, use Method 2.

- **Method 1:** Remove the tray and set it aside for 15 minutes. Insert a spatula between the molds to separate them from each other, and then you can remove them one by one.
- **Method 2:** Remove the ice molds from the tray inside the compartment. Insert a spatula between the molds to separate them from each other, and then you can remove them one by one.

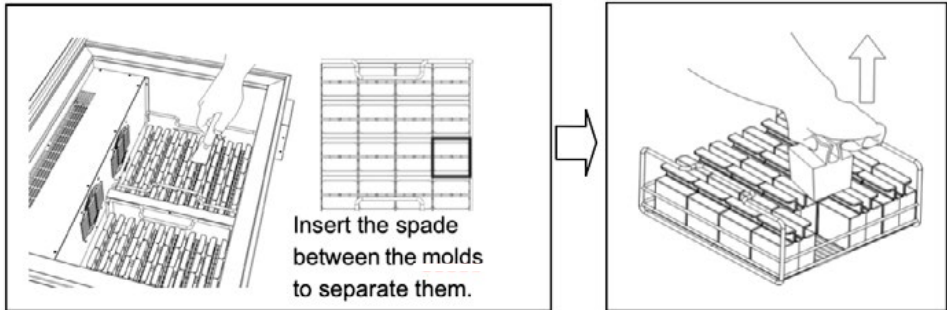
8

If it has been in ice storage mode for more than 4 hours, you can remove the ice molds directly without using the spatula.

METHOD 1



METHOD 2

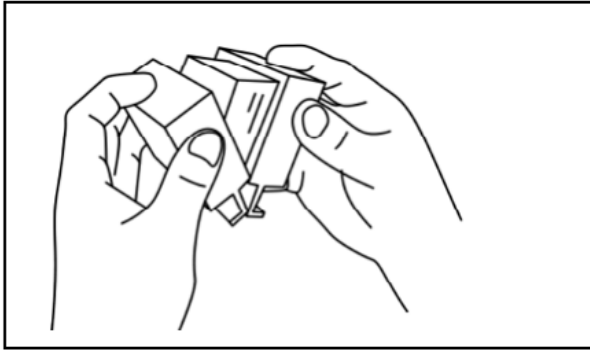


Note:

It is recommended to use the ice cubes within 12 hours after completing the ice making process. Keeping the ice cubes in storage for more than 12 hours may cause changes in their transparency or melting. If storing them, do so in bags or vacuum-sealed.



Open the ice mold and remove the ice.



Note:

If you have difficulty opening the silicone ice molds, you can quickly immerse them in clean water for 1-2 seconds and then remove them.

Care and Maintenance

1. Disconnect the machine before cleaning and maintenance.
2. Regularly clean the surface of the machine with a damp cloth to remove dust and dirt.
3. Regularly clean and disinfect the molds. You can wash them in the dishwasher and disinfect them in a sterilizing cabinet. It is recommended to clean them every 15 days or according to your own situation.
4. Regularly clean the compartment and trays with water. It is recommended to clean them every 15 days or according to the frequency of use.
5. Do not disassemble or perform maintenance on the machine if you are not a professional.
6. Do not tilt the machine when moving or transporting it, as it could be damaged.
7. The manufacturer will not be responsible for any damage or quality problems caused to the machine by users who do not operate it according to this manual.

Troubleshooting

Cannot start

- Make sure the power cord is plugged into the power outlet.
- Check if the power cord is damaged. If so, do not use the machine.
- If it's not due to the above reasons, contact professionals for maintenance. (The problem may be: the control panel is damaged, the cable connector is loose, etc.)

Cannot fill with water

- Check if the button has been pressed and if the dotted line on the screen moves up and down.
- Ensure that the connected water source is turned on.
- If the water inlet valve is defective or there is no power supply, please contact professionals for maintenance.

Cannot drain water

- Try pressing and holding the 'Stop/Drain' button for about three seconds in standby mode to drain the water.
- Check if the drainage pipe is blocked.
- If the drainage valve or pump has any issues, please contact professionals for maintenance.

Cannot make ice or cool

- When you are filling water, the overflow hole may be blocked by bubbles or other debris. The water cannot overflow, and the ice making program cannot start. Please clean the hole so that the water can overflow smoothly.

- The water level switch may be damaged, so it cannot detect the water level and the machine cannot start operating. Please check that the water level has reached the level of the overflow hole, then try pressing and holding the 'Ice' button for about 3 seconds to skip the water filling and proceed to the next step.
- The control panel and power panel may be damaged, or the cable connector may be loose, which requires professional maintenance.

Cannot detach the ice

- Try pressing and holding the 'Detach' button for about 3 seconds in standby mode to restart the ice detachment process.
- The control panel and power panel may be damaged, or the cable connector may be loose, requiring professional maintenance.
- Heating and water circulation may damage or loosen power terminals or others, requiring professional maintenance.

Inaccurate time or temperature

- The control panel, power panel, and temperature sensor may be damaged, or the cable connector may be loose, requiring professional maintenance.



Códigos de Problemas de Diagnóstico

CODE	PROBLEM	SOLUTION
H2O	The water filling exceeds 3 hours and the water level switch is not activated.	<ol style="list-style-type: none"> The water pressure may be too high, preventing the water inlet valve from opening; or the water pressure is too low and the water level in the compartment cannot reach the overflow hole within 3 hours. Try manually adding water up to the MAX line to see if the machine can operate. It could be caused by a failure in the water inlet valve or the water level switch, which requires professional maintenance.
CF	If the water temperature does not decrease by at least 0.5°C during the first hour of ice making, 'CF' will be displayed, indicating a cooling failure.	It could be caused by a compressor failure, which requires professional maintenance.
HF	If the temperature does not increase by at least 0.5°C within an hour during the water heating after filling or during the ice detachment process, 'HF' will be displayed, indicating a heating failure.	It could be caused by a failure in the heating pipe, which requires professional maintenance.

OE	If the temperature of the heating pipe exceeds 60°C during the heating process, "OE" will be displayed, indicating overheating.	It may be caused by a failure in the water pump, which requires professional maintenance.
PC_E	The temperature probe terminal in the compartment is loose.	Requires professional maintenance.
PA_E	The water temperature probe terminal is loose.	Requires professional maintenance.
PH_E	The heating pipe temperature probe terminal is loose.	Requires professional maintenance.
LP	<p>During the ice making process, if a sudden power outage occurs and the machine is turned back on, it will continue with the original job and display "LP".</p> <p>During other processes such as water filling, ice shedding and ice storage, if the machine is turned off and then turned back on, it will continue with the job and "LP" will not be displayed.</p>	<ol style="list-style-type: none"> 1. If the power is interrupted for less than half an hour, the machine can automatically continue with the original job after reconnection. You can press the "Ice" button to exit the "LP" screen. 2. If the power is cut off for more than half an hour, it is recommended to make the ice again: press and hold the "Ice" and "Detach" buttons for several seconds to unlock, then press "Stop/Drain" to stop the current job, and finally press "ICE" to do it again..

Warranty

VERY IMPORTANT

Register your warranty on the website indicated by the QR code included in this manual. Failure to do so within 15 days will invalidate your warranty.

Limited Warranty

Warranty Period: One year from the date of original shipment, manufacturer will provide: Telephone and email support. Necessary parts will be provided by the manufacturer, but transportation of the machine to official service and back to the customer will be the responsibility of the consumer. In addition, the consumer will assume local service and parts costs for misuse.

Exclusions

Not covered:

- After-sale modifications or accessories.
Consequential or incidental damage.
- Service calls other than for manufacturing defects.
- Damage caused by unauthorized personnel.
Use of non-original parts.
- Abuse, misuse or improper power supply
- Alteration or removal of serial numbers
- Use of extension cords instead of direct connections.
- Claims for injury, incidental damage or economic loss.
- Warranty does not apply if purchase is not registered with serial number.

Consumer Responsibilities

Be sure to:

- Use the device correctly according to the instructions.
- Install it in accordance with local electrical codes.
- Connect it to a suitable power source.
- Locate it in a clean, well-ventilated area.
- Avoid damage during installation or use.
- Perform proper maintenance.

Service

Verify the date of purchase and retain the receipt. Service under this warranty is obtained directly from Cocina sin Límites S.L. or your local distributor.



www.100x100chef.com

100%Chef

© ALINIA MANUAL USUARIO ESP MARZO 2024

Cocina sin Límites, S.L. Juan Peiró i Belis, 2-4, Pol. Ind. Vallmorena 08339

Vilassar de Dalt, Barcelona / Spain +34 934296340